

## Knob model UK 400 by KARCHER DESIGN

Smooth glass knob set for standard duty for residential interior use.

### Standard Features:

- 3 piece solid fixing rose  $\varnothing$  2 5/8" (67mm) which allows concealed fixing suits standard door prep 2 1/8" (54mm).
- With nylon floating bearing and heavy duty bolt through fixing prevents lock chassis rotations
- Knob diameter: 2 3/16" (56mm)
- Door range:  
Passage-Version 1 1/4" (31mm) – 2" (51mm) standard  
Privacy-Version 1 1/4" (31mm) – 1 3/4" (44,5mm) standard.  
Privacy must not be used for doors thicker than 1 3/4" (44,5mm)
- Backset: 2 3/8" - (60 mm) backset latch standard.
- Stainless steel T-strike plate with plastic dust cover
- Stainless steel latch face plate

### Options:

PAS - passage latch, backset 2 3/8" (60mm) and T-strike plate

PRI – privacy latch backset 2 3/8" (60mm) and T-strike

DUM – Full Dummy

DUML – Half Dummy Left

DUMR- Half Dummy Right

### Special options (to be ordered separately)

UZA2570 PAS – Passage Latch with backset 2 3/4" (70mm)

UZA2500 LS – Full Lip strike

UZUL P67 – UL-Latch passage only

UEDB 71 – Matching keyed deadbolt, door thickness 2 1/8" (55mm) and 2 9/16" (65mm)

UEZ D1 71 – Matching distance ring for deadbolt, door thickness 1 3/8" (35mm) and 1 3/4" (45mm)

Finish: satin stainless steel (finish code 71)

Karcher article no.:

UK 400 PAS 71 – with passage latch, backset 2 3/8" (60mm) and T-strike plate

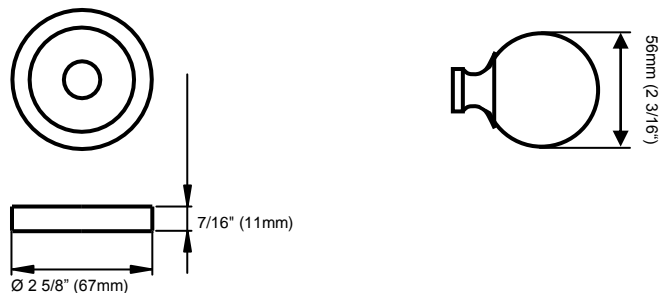
UK 400 PRI 71 – with privacy latch, backset 2 3/8" (60mm) and T-strike plate

UK 400 DUM 71 – full dummy

UK 400 DUML 71 – half dummy left

UK 400 DUMR 71 – half dummy right

Dimensional detail:



# Entrance Handle Sets on plate with a single cylinder UEL 71

By KARCHER DESIGN

- UEL Design harmonized with the US-Latch sets
- Lever model: Can be provided with lever models (ER20-ER84)
- Dimensions: 9 7/8" x 2 3/8" x 1/2" (250 x 60 x 12mm)
- Center to center Distance 5 1/2" (140mm)
- Standard 2 1/8" door prep
- Standard door thickness 2 1/8" (55mm) and 2 9/16" (65mm)
- Distance ring (UZ D2 71) required for 1 3/8" (35mm) to 1 3/4" (45mm)
- Passage latch with standard Backset 2 3/8" (60mm)
- Dead bolt latch: adjustable with a backset of 2 3/8" (60 mm) and 2 3/4" - (70 mm)
- Solid Brass Cylinder with 5 pins and C keyway
- Stainless steel T-strike plate with plastic dust cover
- Stainless steel strike plate with plastic cover
- Stainless steel latch face plate

## Special options

- UEZ D2 71 (Distance Ring): For door thickness 1 3/8" - 1 3/4" (35 - 45 mm) a distance ring is required
- UZ2500 LS 71 Full Lip strike
- UZ2570 Passage Latch with 2 3/4" (70mm) backset

Finish: satin stainless steel (finish code 71)

satin / polished stainless steel (finish code 73)

Karcher article no.:

### Finish: Satin stainless steel

UEL 20 LA 71: Entrance set with lever Kos  
UEL 22 LA 71: Entrance set with lever Elba  
UEL 25 LA 71: Entrance set with lever Malta  
UEL 27 LA 71: Entrance set with lever Crete  
UEL 29 LA 71: Entrance set with lever Cyprus  
UEL 31 LA 71: Entrance set with lever Tasmania  
UEL 37 LA 71: Entrance set with lever Verona  
UEL 64 LA 71: Entrance set with lever Ontario  
UEL 71 LA 71: Entrance set with lever Toronto  
UEL 69 LA 71: Entrance set with lever Florence  
UEL 78 LA 71: Entrance set with lever Delphi  
UEL 81 LA 71: Entrance set with lever Panama  
UEL 83 LA 71: Entrance set with lever Brasilia

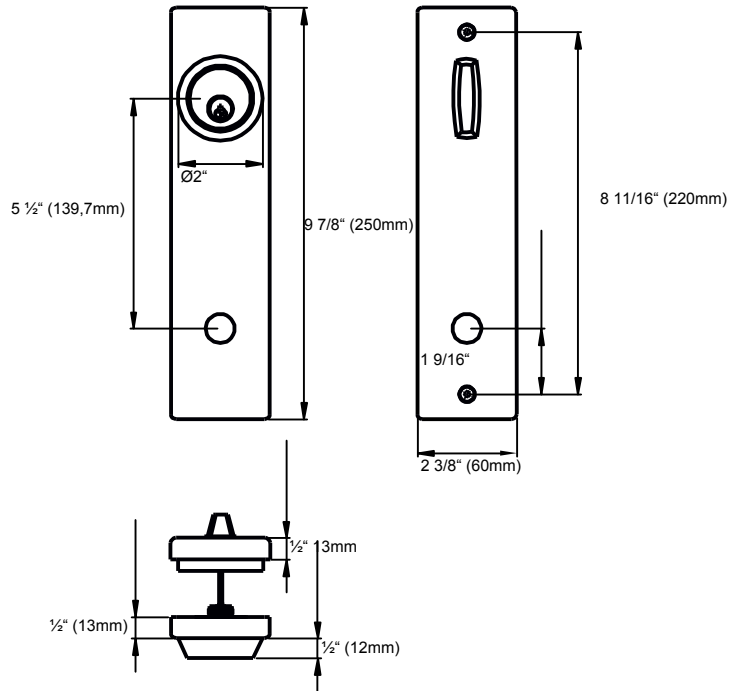
UEL 21 LA 71: Entrance set with lever Manhattan  
UEL 24 LA 71: Entrance set with lever Corfu  
UEL 26 LA 71: Entrance set with lever Sylt  
UEL 28 LA 71: Entrance set with lever Rhodos  
UEL 30 LA 71: Entrance set with lever Corsica  
UEL 35 LA 71: Entrance set with lever Lignano  
UEL 63 LA 71: Entrance set with lever Nice  
UEL 66 LA 71: Entrance set with lever Tokio  
UEL 72 LA 71: Entrance set with lever Kyoto  
UEL 77 LA 71: Entrance set with lever Athens  
UEL 80 LA 71: Entrance set with lever Toledo  
UEL 72 LA 71: Entrance set with lever Lima  
UEL 72 LA 71: Entrance set with lever Futura

### Finish: Satin stainless steel/polished stainless steel

UEL 32 LA 73: Entrance set with lever Babylon  
UEL 34 LA 73: Entrance set with lever Rio  
UEL 36 LA 73: Entrance set with lever Atlantis  
UEL 43 LA 73: Entrance set with lever Porto  
UEL 64 LA 73: Entrance set with lever Ontario  
UEL 79 LA 73: Entrance set with lever Stockholm  
UEZ D2 71: Distance ring for UEL 71 and UEL 73

UEL 33 LA 73: Entrance set with lever Kuba  
UEL 35 LA 73: Entrance set with lever Lignano  
UEL 37 LA 73: Entrance set with lever Verona  
UEL 44 LA 73: Entrance set with lever Oslo  
UEL 65 LA 73: Entrance set with lever New York  
UEL 15E LA 73: Entrance set with lever Venice

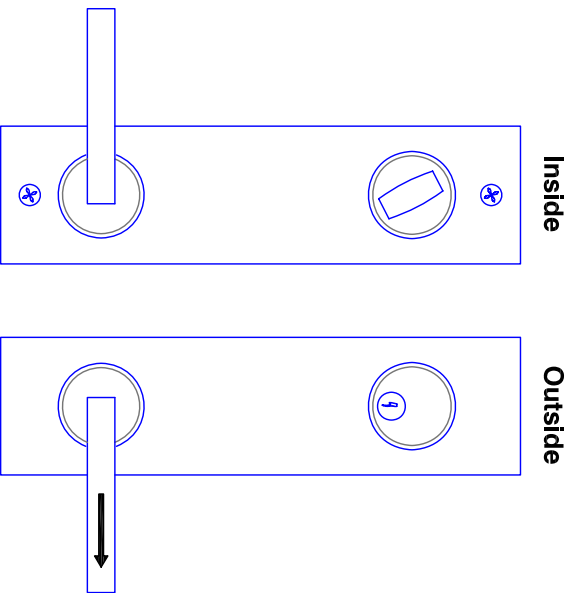
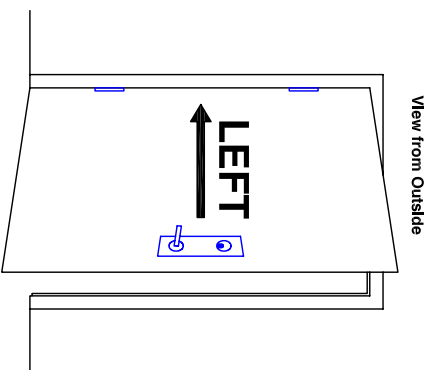
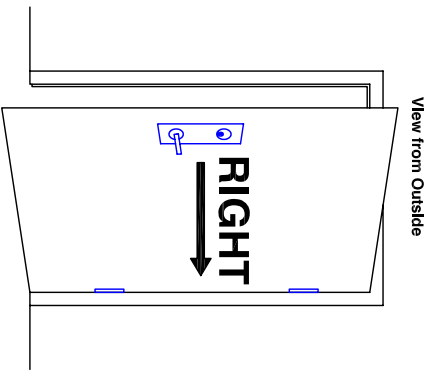
Dimensional detail:



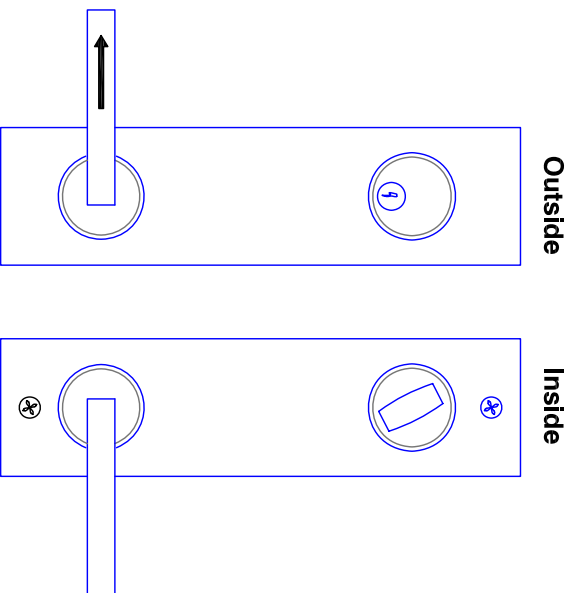
Important Notice: Karcher Design products are designed in the metric System. Therefore metric measures are binding. Therefore inch measure can only be an approximation

# Lever on Plate

## Handing must be specified for purchase



**Option 1**  
Outside Handle points RIGHT



**Option 2**  
Outside Handle points LEFT

Model Number:	Lever on Plate
Model Description:	Options required for purchase
Prepared Date:	23.October.2009